

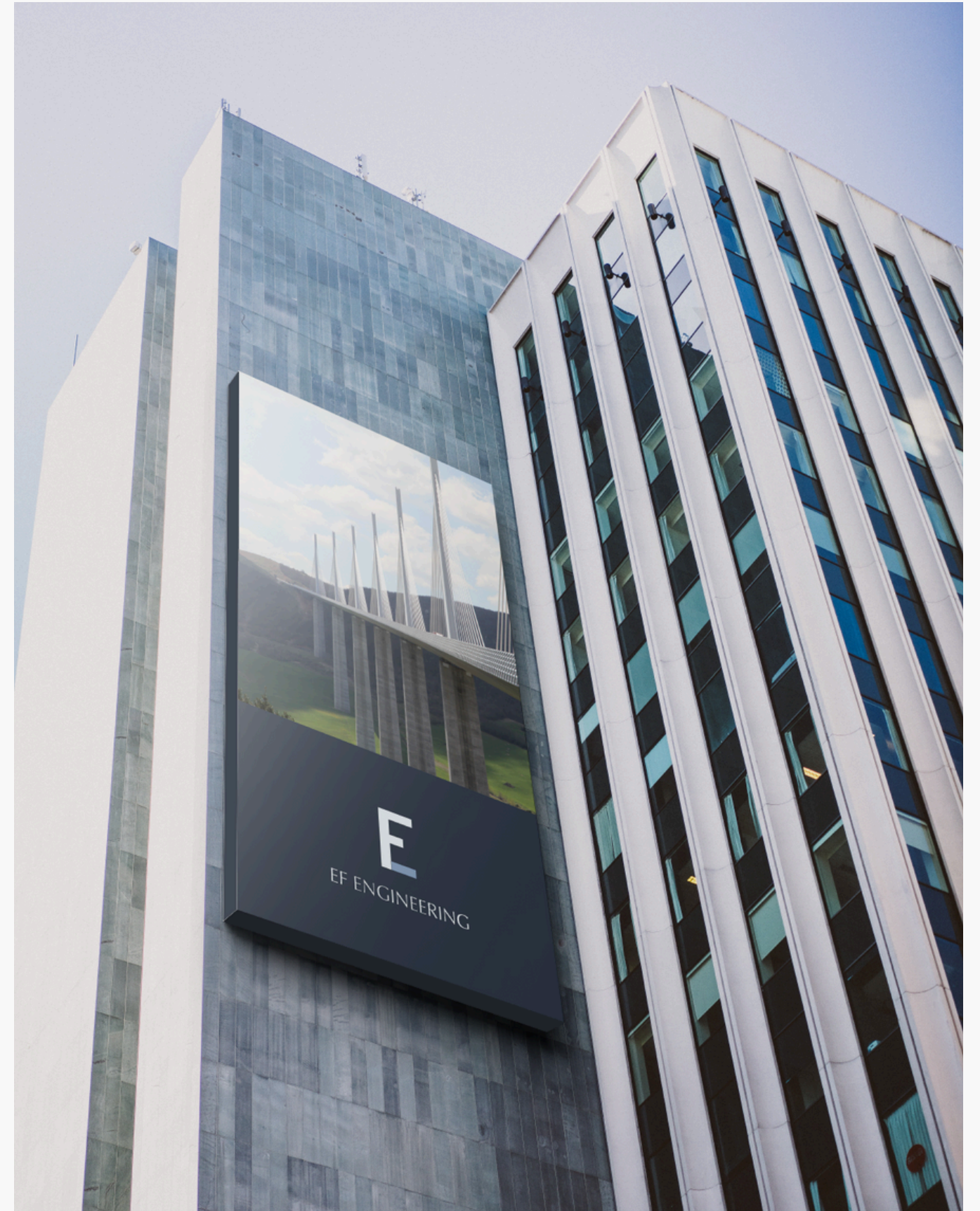
# E

EF ENGINEERING

# BUSINESS PROFILE

Email: [ef.globeng@gmail.com](mailto:ef.globeng@gmail.com)

Tel: +972 (0)52-3159491



# ABOUT US

EF Engineering offers structural consulting and design services.

We specialize in designing public, commercial, residential, industrial and hospitality buildings of various scopes.

Designing concrete and steel structural frames guided by principles of simplicity in design and execution, cost-efficiency, and structural elegance - allowing for durability and functional flexibility throughout the building's life cycle.

EF Engineering has extensive experience working with contractors and construction teams of various scales and integrates closely with project management and consulting teams.

Our core values are commitment, thoroughness, and responsibility for delivering a professional and high quality results to our clients.



# OUR SERVICES

Arc.-Eng.-Consult.  
Planning  
Coordination  
(superposition)

Structural Frame  
Design

Production of  
executional plans  
for all structural  
elements

Supreme  
Supervision

Continuous  
Execution  
Support

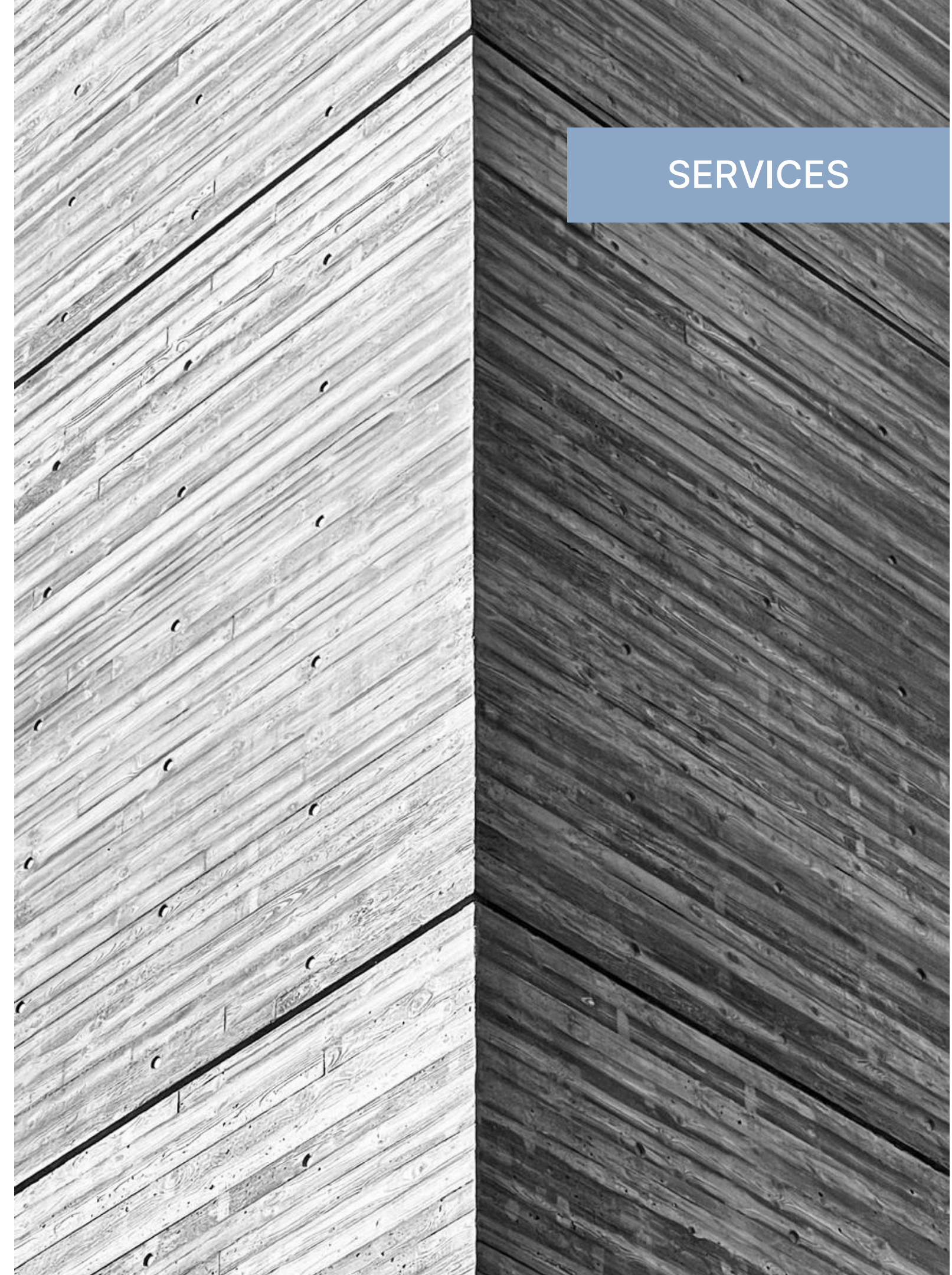
Structural  
3D Modeling

Structural  
Optimization  
and  
Consulting

Second Opinion

Calculational  
Models Making

SERVICES



# OUR TEAM



Eng. ELIZAVETA FROLOV

Licensed civil engineer with over 8 years of experience in the construction industry.  
Holds a B.Sc in Civil Engineering with a specialization in structures.

I began my professional journey on construction sites to deeply understand execution details firsthand, believing that design and execution go hand in hand to accomplish the highest levels of architectural and engineering vision realization.

I work with experienced team of drafters and modelers with more than 8 years of experience both locally and internationally.

BIM Manager specializing in Revit and AllPlan | Drafter specializing in CAD software

PROJECTS

# PROJECTS

SELECTED PROJECTS

# CARLSBERG ISRAEL

Factory, warehouse, and production facility of approx. 10,000 sqm. built  
Const. Method: Conventional, steel roofs and columns, precast facades

Status: Completed  
Under Ron Meshulami Eng. Ltd.



# ONO CENTER

A complex of 8 buildings. 4 residential buildings - 12 floors, 4 office buildings - 6 floors, 4 level shared underground parking. Public and commercial areas on the ground level, approx. 103,550 sqm. built  
Const. Method: Conventional, prestressed precast elements, hollow-core slabs, Baranovich walls, and steel elements

Status: Completed

Under Rami Ballas Eng. Ltd.



# LOT 208

18 story residential and office tower, approx. 25,410 sqm. built

Const. Method: Conventional, prestressed and precast beams, hollow-core slabs, Baranovich walls

Status: Under construction

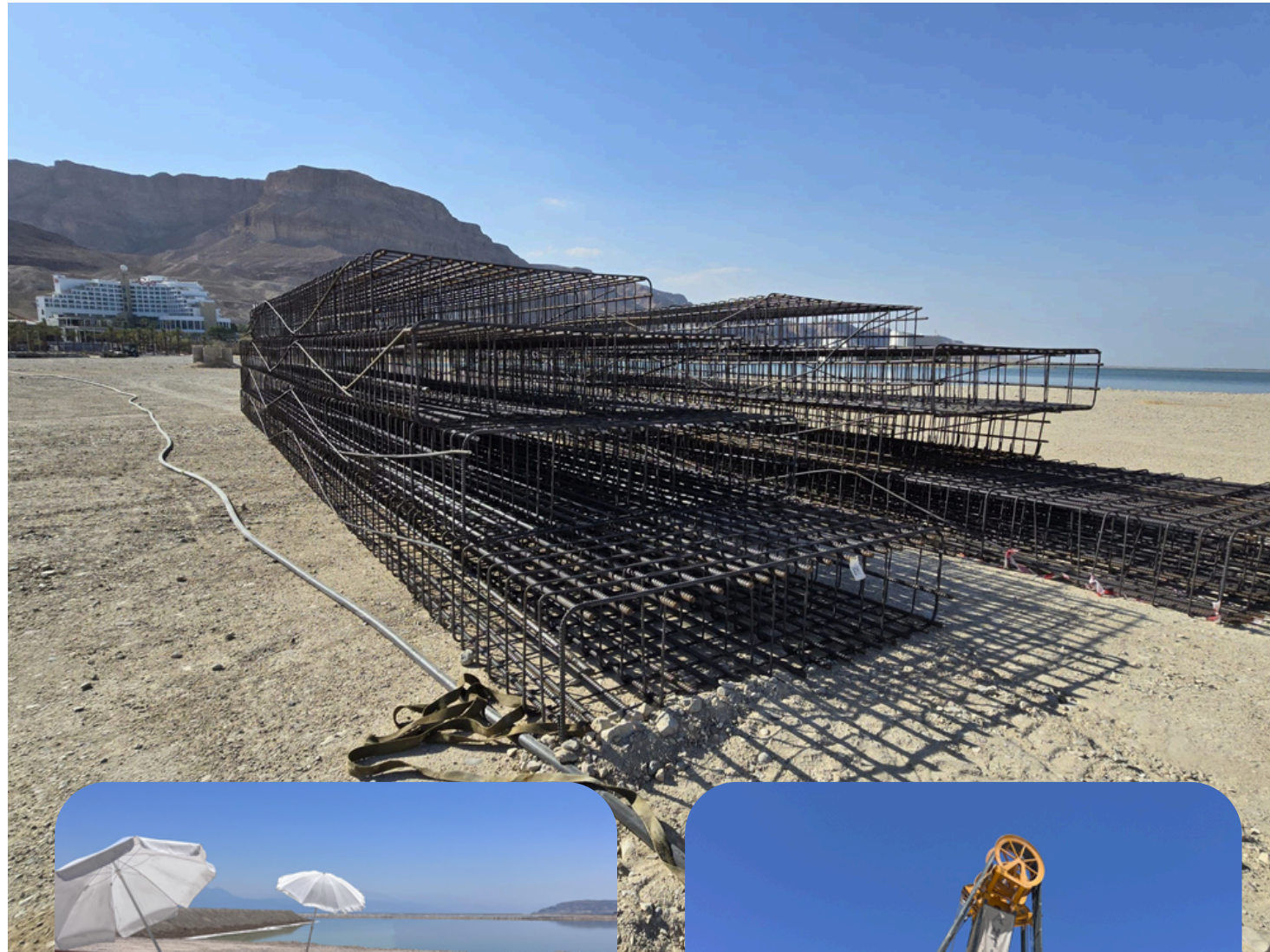
Under Rami Ballas Eng. Ltd.



# RESORT&SPA DEAD SEA

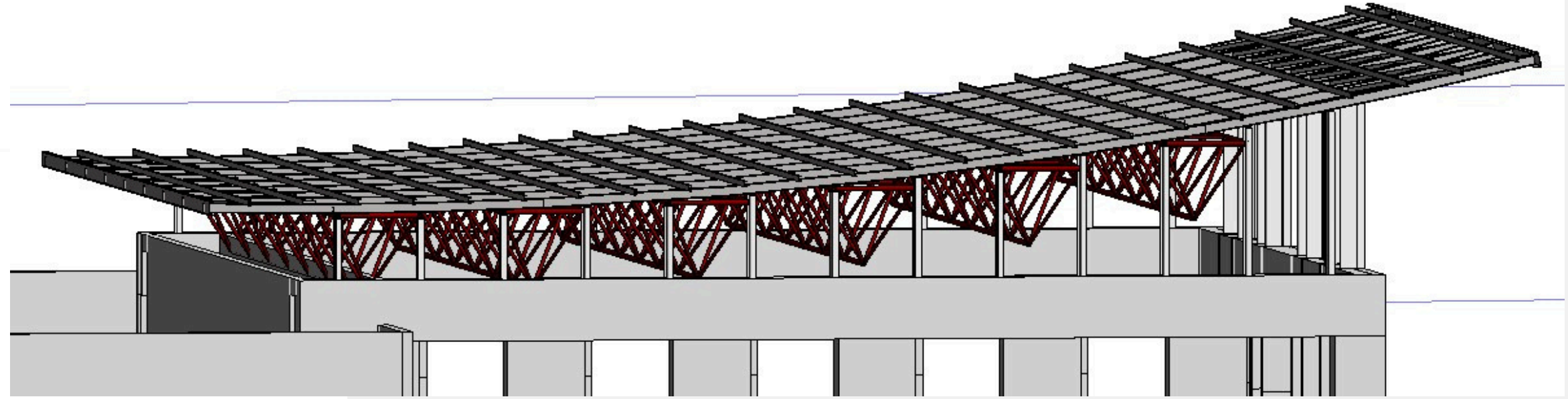
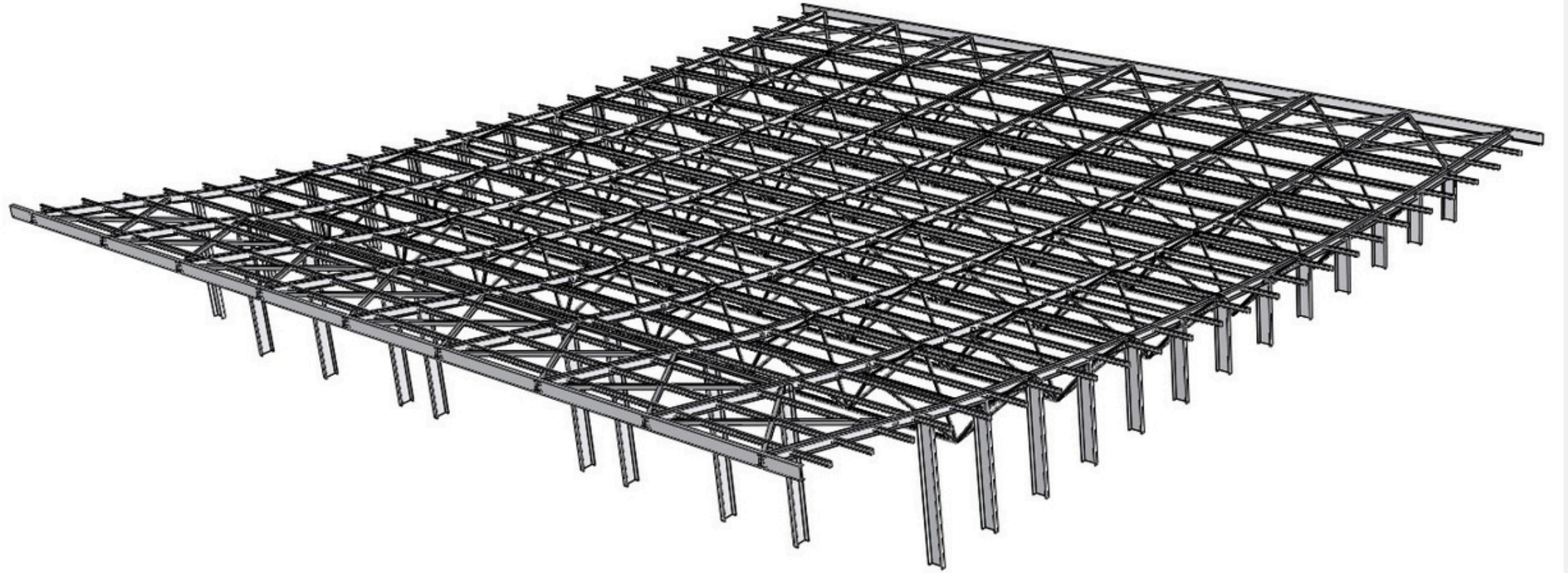
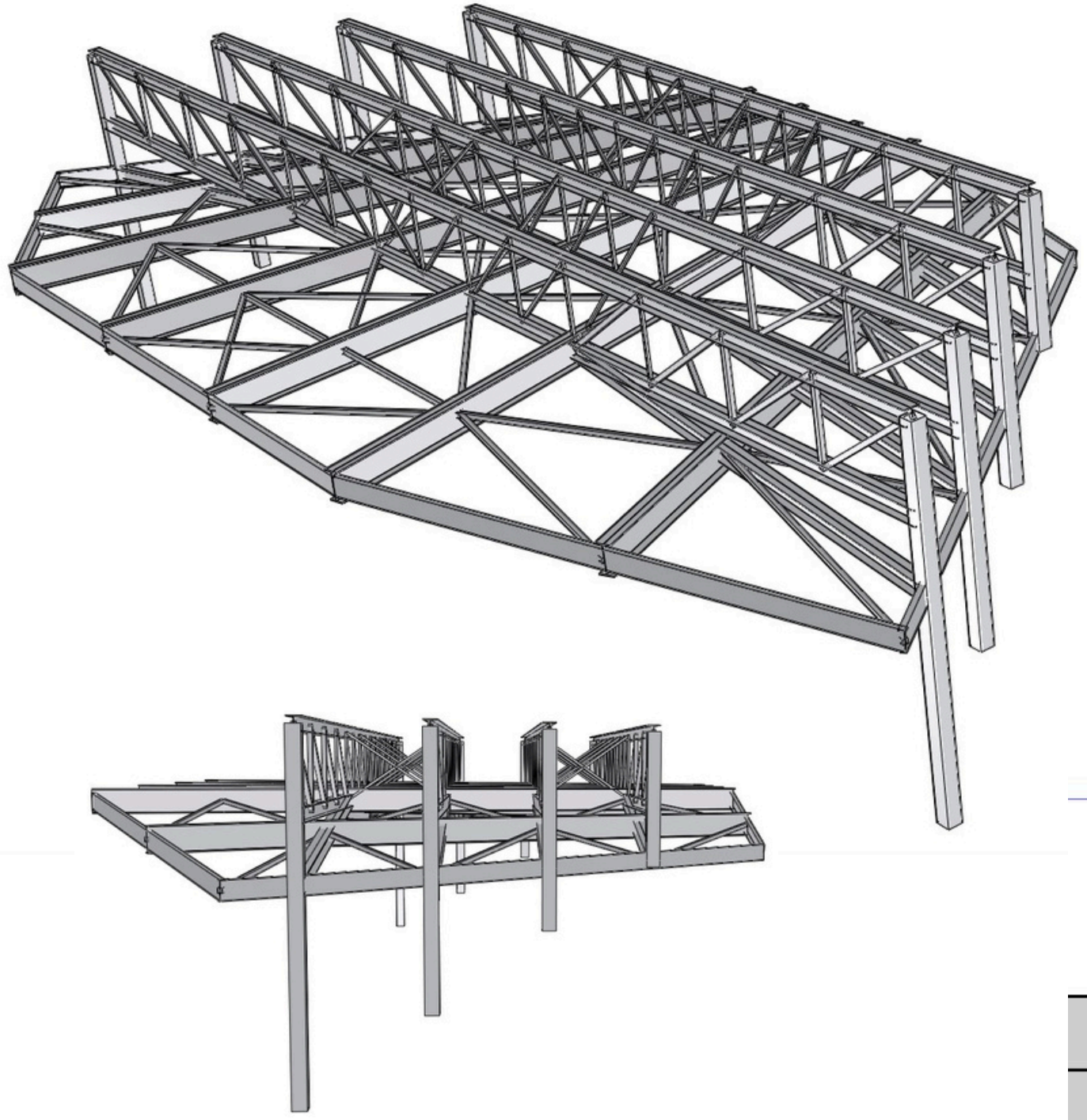
Load testing for the foundation of a 7 story hotel on an artificial island in the Dead Sea,  
approx. 92,000 sqm. built  
Const. Method: Slurry

Status: Completed  
Under Rami Ballas Eng. Ltd.



# STEEL FRAMING

Structural steel design for various buildings and uses



CONTACT US



**WE'D LOVE  
TO HEAR  
FROM YOU**



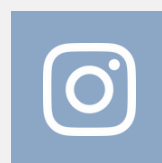
+972-(0)52-3159491



WWW.EF-GLOBENG.COM



EF.GLOBENG@GMAIL.COM



EF.ENGINEERING



DIZENGOFF 18 TEL-AVIV, YAFFO